

**FEATURES**

- LED life-cycle exceeding 10 years
- Red or Green field selectable exits
- Dual-voltage 120 or 277V AC input
- Remote capacity or extended runtime option
- Damp Location Listed 20°C to 30°C (68°F to 86°F)
- Provided with test switch and AC-On indicator
- Remote Capacity (RC) models have a minimum runtime of 120 minutes when no remotes are installed



**SPECIFICATIONS**

**CONSTRUCTION**

- The white or black housing is made of high impact UL flame rated thermoplastic with UV protection
- Universal single or double face

**INSTALLATION**

- Snap together canopy, housing and covers with removable chevrons for quick and easy installation

**ELECTRICAL**

- The remote capacity option will run 2 CIR/COR single remote lamp-heads or 1 double CIR/COR remote
- Also available with self-test/self-diagnostics to monitor battery/charger failure, battery disconnect and lamp failure

**CERTIFICATIONS**

- UL924 Listed for Damp Location
- NFPA 101 and NFPA 70
- OSHA
- CEC T20 Compliant

**SELF-DIAGNOSTIC FEATURES**

- Fault identification for battery, charger, LED integral lamps and remotes
- Self-Testing monthly and annual for 90 minutes
- Manual Testing for 30 second, 15 minutes and 90 minutes

**WARRANTY**

- 2 year full unit warranty
- See [HLI Standard Warranty](#) for additional information

**RELATED PRODUCTS**

- [CIR Remote](#)
- [COR Remote](#)

**ORDERING GUIDE**

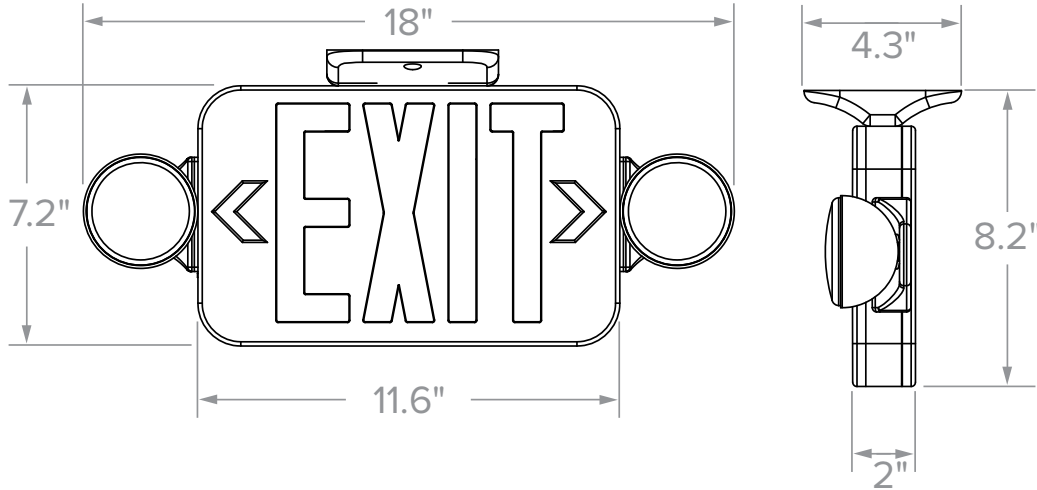
Catalog Number	Description	Accessories (Order Separately)
CCRG	White Finish, Combination Exit/Emergency Light, Univ. Face, Selectable Red or Green LED, NiCad Battery, CEC T20 Compliant	WGEL Wireguard 8"H x 20"W x 8"D
CCRGB	Black Finish, Combination Exit/Emergency Light, Univ. Face, Selectable Red or Green LED, NiCad Battery, CEC T20 Compliant	
CCRGRC	White Finish, Combination Exit/Emergency Light, Univ. Face, Selectable Red or Green LED, Remote Capacity, NiMh Batt., CEC T20 Compliant	CIR Series Matching LED Indoor Remote Heads
CCRGRCB	Black Finish, Combination Exit/Emergency Light, Univ. Face, Selectable Red or Green LED, Remote Capacity, NiMh Batt., CEC T20 Compliant	
CCR	White Finish, Combination Exit/Emergency Light, Universal Face, Red Letters, NiCad Battery, CEC T20 Compliant	COR Series Matching LED Outdoor Remote Heads
CCRB	Black Finish, Combination Exit/Emergency Light, Universal Face, Red Letters, NiCad Battery, CEC T20 Compliant	
CCG	White Finish, Combination Exit/Emergency Light, Universal Face, Green Letters, NiCad Battery, CEC T20 Compliant	
CCGB	Black Finish, Combination Exit/Emergency Light, Universal Face, Green Letters, NiCad Battery, CEC T20 Compliant	
CCRRC	White Finish, Combination Exit/Emergency Light, Universal Face, Red Letters, Remote Capacity, NiMh Batt., CEC T20 Compliant	
CCRRCB	Black Finish, Combination Exit/Emergency Light, Universal Face, Red Letters, Remote Capacity, NiMh Batt., CEC T20 Compliant	
CCGRC	White Finish, Combination Exit/Emergency Light, Universal Face, Green Letters, Remote Capacity, NiMh Batt., CEC T20 Compliant	
CCRS	White Finish, Combination Exit/Emergency Light, Universal Face, Red Letters, Self-Test/Self-Diagnostics, NiCad Battery, CEC T20 Compliant	
CCGSD	White Finish, Combination Exit/Emergency Light, Universal Face, Green Letters, Self-Test/Self-Diagnostics, NiCad Battery, CEC T20 Compliant	
CCRRCSD	White Finish, Combination Exit/Emergency Light, Universal Face, Red Letters, Self-Test/Self-Diagnostics, NiMh Batt., Remote Capacity, CEC T20	
CCGRCSD	White Finish, Combination Exit/Emergency Light, Universal Face, Green Letters, Self-Test/Self-Diagnostics, NiMh Batt., Remote Capacity, CEC T20	

Note: Remote Capacity Exit will only power Compass Indoor and Outdoor Remote (CIR and COR Series)

# CC

LED COMBINATION EXIT/EMERGENCY LIGHT

## DIMENSIONS



Single Carton Weight	2.5lbs.
Master Carton Quantity	6 each

## ENERGY CONSUMPTION

	120VAC	277VAC
CCRG	3.9W	4.2W
CCRGRC	4.4W	4.8W
CCR	4.12W	3.20W
CCG	3.22W	3.18W
CCRRRC	4.00W	4.06W
CCGRC	4.10W	4.28W

## ACCESSORIES



## SELF DIAGNOSTIC FEATURES

### SELF-DIAGNOSTIC FEATURES

- Fault identification for battery, charger, LED integral lamps and remotes
- Self-Testing monthly and annual for 90 minutes
- Manual Testing for 30 second, 15 minutes and 90 minutes